



## Beverage Dispensing System Hot Beverage Dispenser for soluble powder, 2 containers, black

ITEM # \_\_\_\_\_

MODEL # \_\_\_\_\_

NAME # \_\_\_\_\_

SIS # \_\_\_\_\_

AIA # \_\_\_\_\_



560024 (GH2)

Soluble powder hot  
Beverage Dispenser with  
2x500 gr containers and 2,4  
l water tank

### Short Form Specification

Item No. \_\_\_\_\_

Hot beverage dispenser for powder based drinks with 2 containers, 500gr each and 2,4lt water tank. Front panel LED backlighting. Completely removable powder containers. Sliding panel for easy filling of the water tank. Mechanical and programmable control board. Multilanguage menu. Chip card on request.

### Main Features

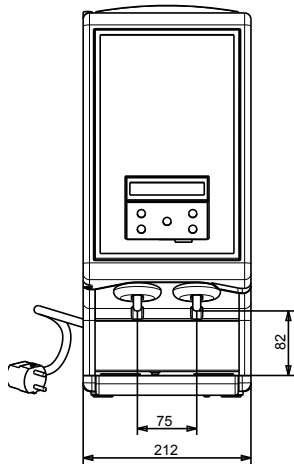
- Hot beverage dispenser for powder based drinks.
- Front panel LED backlighting.
- Completely removable powder containers.
- Sliding panel for easy filling of the water tank.
- While the machine works, display indicates:
  - dispensing phase
  - water level too low;
  - flavour being delivered;
  - cleaning required;
  - heating stage;
  - expired credit, if the machine is equipped with the chip card system;
  - filter replacement required.
- Mechanical and programmable control board.
- Multilanguage menu.
- Chip card on request.

APPROVAL: \_\_\_\_\_

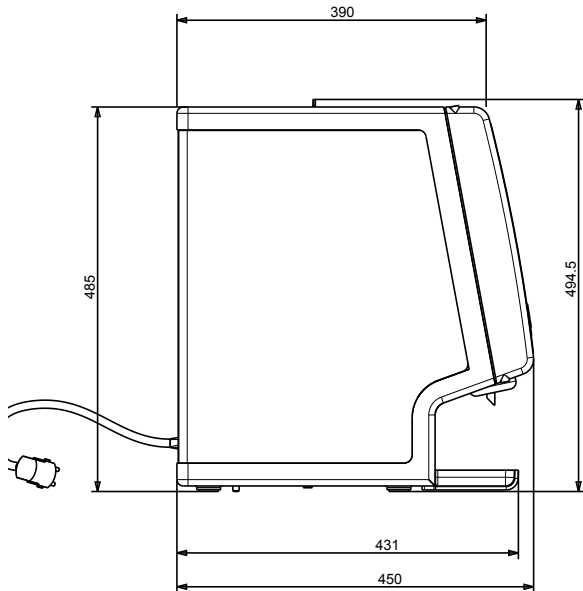


Experience the Excellence  
[www.electroluxprofessional.com](http://www.electroluxprofessional.com)

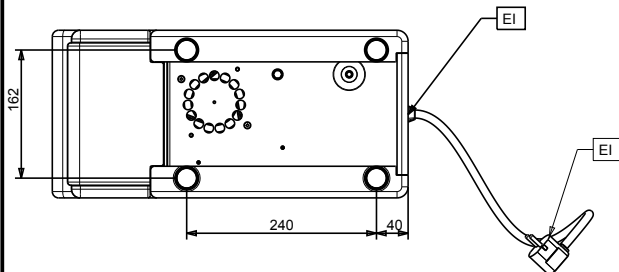
Front



Side



Top



### Electric

Supply voltage:

560024 (GH2) 220-240 V/1 ph/50 Hz

Electrical power max.:

1.25 kW

### Key Information:

External dimensions, Width:	212 mm
External dimensions, Depth:	450 mm
External dimensions, Height:	495 mm
Net weight:	15 kg
Shipping weight:	18 kg
Shipping height:	620 mm
Shipping width:	260 mm
Shipping depth:	520 mm
Shipping volume:	0.08 m <sup>3</sup>

Beverage Dispensing System  
 Hot Beverage Dispenser for soluble powder, 2 containers, black

The company reserves the right to make modifications to the products  
 without prior notice. All information correct at time of printing.